

**HARTFORD**  
BED RANGE



## HF-136

### 4 Section Manual Bed

- Height Adjustable (Foot Operated)
- Backrest (Gas Spring Assisted)
- Knee Section (Gas Spring Assisted)
- Calf Section (By Ratchet Mechanism)
- Forward and Reverse Trendelenburg (Gas Spring Assisted)
- 125mm Central Locking Castors
- Integrated Safety Sides
- Removable ABS Head & Foot Boards.



## HF-133

### 2 Section Manual Bed

- Fixed Height
- Backrest (Gas Spring Assisted)
- Forward and Reverse Trendelenburg (Gas Spring Assisted)
- 125mm Castors (2 x Individual Locking & 2 Free Swivel)
- Integrated Safety Sides
- Removable ABS Head & Foot Boards.



## HF-135

### 2 Section Manual Bed

- Height Adjustable (Foot Operated)
- Backrest (Gas Spring Assisted)
- Forward and Reverse Trendelenburg (Gas Spring Assisted)
- 125mm Central Locking Castors
- Integrated Safety Sides
- Removable ABS Head & Foot Boards.



## HF-132

### 4 Section Manual Bed

- Fixed Height
- Backrest (Gas Spring Assisted)
- Knee Section (Gas Spring Assisted)
- Calf Section (By Ratchet Mechanism)
- 125mm Castors (2 x Individual Locking & 2 Free Swivel)
- Integrated Safety Sides
- Removable ABS Head & Foot Boards.



## HF-134

### 4 Section Manual Bed

- Fixed Height
- Backrest (Gas Spring Assisted)
- Knee Section (Gas Spring Assisted)
- Calf Section (By Ratchet Mechanism)
- Forward and Reverse Trendelenburg (Gas Spring Assisted)
- 125mm Castors (2 x Individual Locking & 2 Free Swivel)
- Integrated Safety Sides
- Removable ABS Head & Foot Boards.

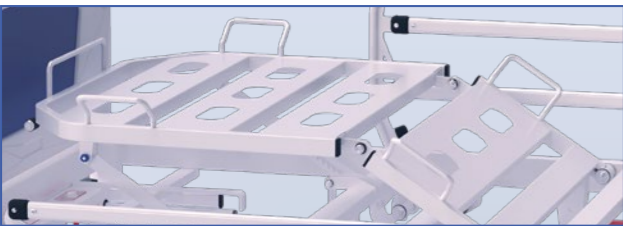


## HF-131

### 2 Section Manual Bed

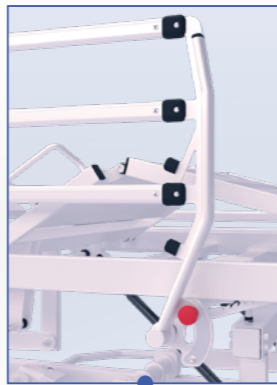
- Fixed Height
- Backrest (Gas Spring Assisted)
- 125mm Castors (2 x Individual Locking & 2 Free Swivel)
- Integrated Safety Sides
- Removable ABS Head & Foot Boards.





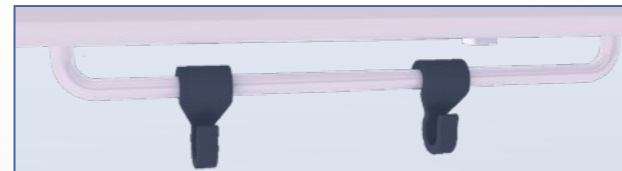
### Calf Section

This part of the 4 section bed can be raised and lowered manually via a ratchet mechanism, but only when the knee break section is raised. It automatically flattens when the knee section is levelled.



### Safety Sides

$\frac{3}{4}$  length integrated collapsible safety sides are fitted to all beds. In full compliance with the requirements of the international standard EN 60601-2-52.



### Drainage Bag Hooks

On all models of the HARTFORD bed, a rail is provided on each side of the mattress platform complete with hooks to hold a drainage bag.



### Head/Foot Boards

Lightweight ABS head and foot boards can be quickly and easily removed allowing access to the head and neck regions during general nursing and in the event of an emergency.



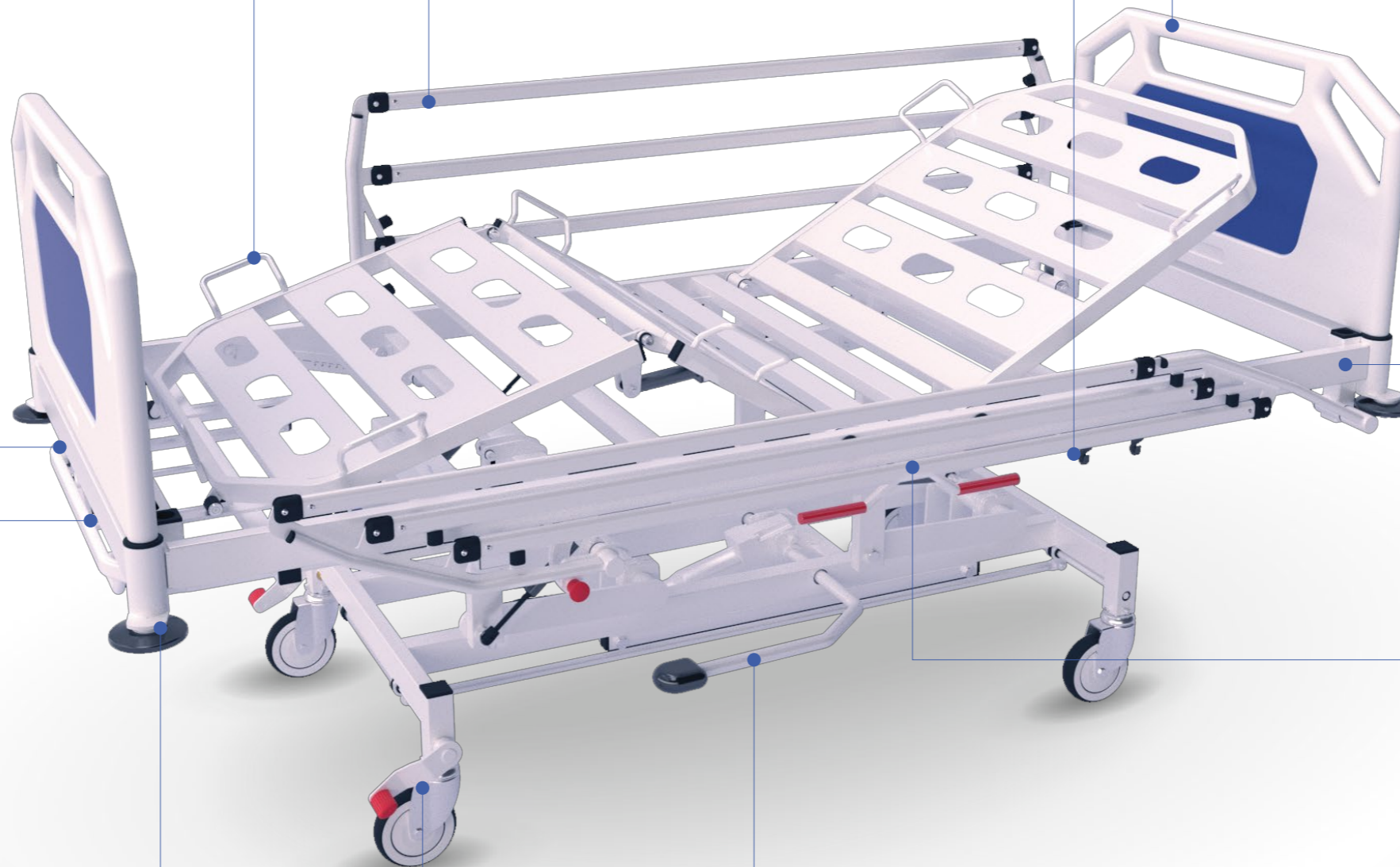
### Trendelenburg

By gripping an ergonomically designed handle and pulling a release lever, the mattress platform can be tilted, with gas spring assistance, to any angle between +12° and -8°.



### Accessory Fittings

Four sockets, two at each end of the bed, are provided to accommodate a lifting pole (head end only), IV poles and various traction and orthopaedic frames.



### Linen Maker

A 'pull out' linen maker is provided on most HARTFORD models at the foot end of the bed to allow linen to be conveniently stored whilst the bed is being changed.



### Backrest & Knee-Break

A handle on each side of the bed is provided to raise the gas spring assisted backrest and knee break.

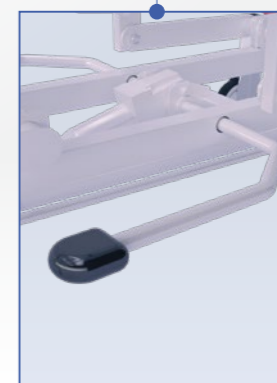
### Corner Bumpers

Non-marking 100mm diameter rotating corner bumpers are standard on all HARTFORD models. They protrude sufficiently to ensure that the bed is protected when being transported through narrow doorways.



### Castors

Castors can be fully locked by downward activation of either brake pedal at the foot end of the bed. A steering lock can also be activated on one castor at the head end, making it easier to manoeuvre and steer the bed.



### Height Adjustment

Adjustment of the height of the bed is achieved using a hydraulic foot pump. Pedals are located on each side of the bed which when repeatedly pressed effortlessly raise the bed. Lifting the pedal lowers the bed.

# STANDARD FEATURES AND OPTIONS

# ACCESSORIES

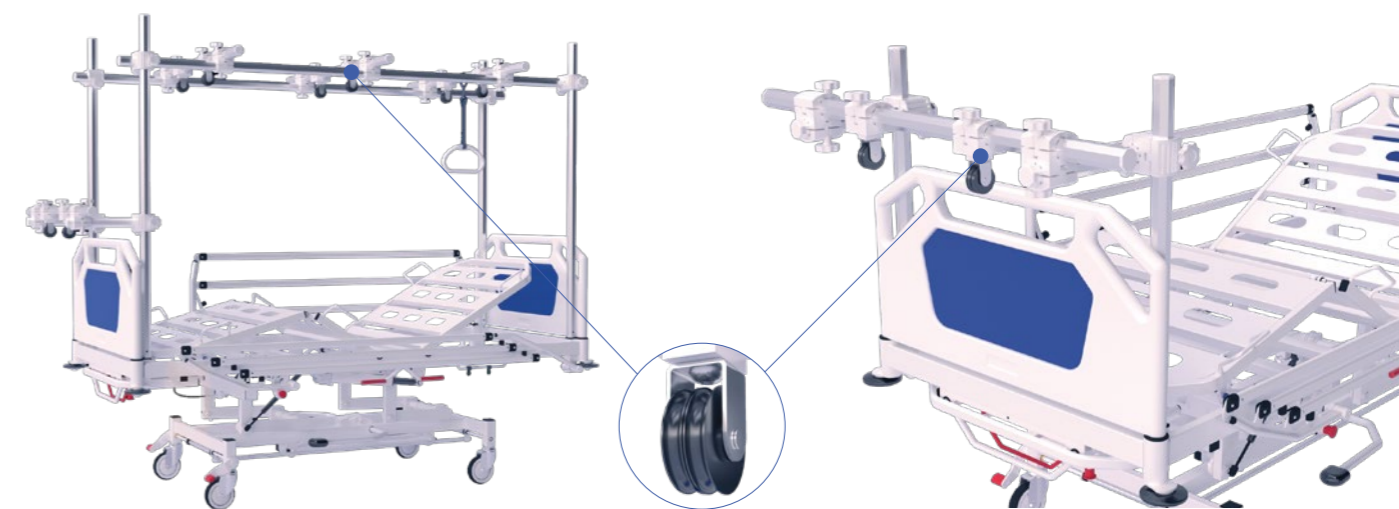
## BED MODEL

	HF-136	HF-135	HF-134	HF-133	HF-132	HF-131
125mm Central Locking Castors	✓	✓	○	○	—	—
150mm Central Locking Castors	○	○	○	○	—	—
125mm Swivel & Brake Castors	○	○	✓	✓	✓	✓
Pull Out Linen Maker	✓	✓	✓	✓	○	○
Bed Extension	○	○	○	○	○	○
Sheet Steel Slats for Mattress	✓	✓	✓	✓	✓	✓
Wire Mesh Mattress Platform	○	○	○	○	○	○
Urine Bag Holder	✓	✓	✓	✓	✓	✓
Colour - Grey White RAL 9002	✓	✓	✓	✓	✓	✓

✓ Standard

○ Optional

— Not Available



HA-040 | Full Orthopaedic Frame

HA-050 | Small Traction Frame

# TECHNICAL SPECIFICATIONS



HF-131	90kg	Overall Dimensions	2145 x 1035mm
HF-132	98kg	Mattress Platform Dimension	2020 x 900mm
HF-133	108kg	Variable Height Models	460 to 760mm
HF-134	116kg	Fixed Height Models	680mm
HF-135	125kg	Mattress (Length x Width)	2000 x 900mm
HF-136	133kg	Mattress Thickness (Max/Min)	150/100mm



Safe Working Load	220kg	Backrest Angle	0 - 70°
Maximum Patient Weight	180kg	Knee Break Angle	0 - 35°
		Trendelenburg Angle	0 - 12°
		Reverse Trendelenburg	0 - 8°

Hospi-Furn reserves the right to change technical specifications without prior notice.



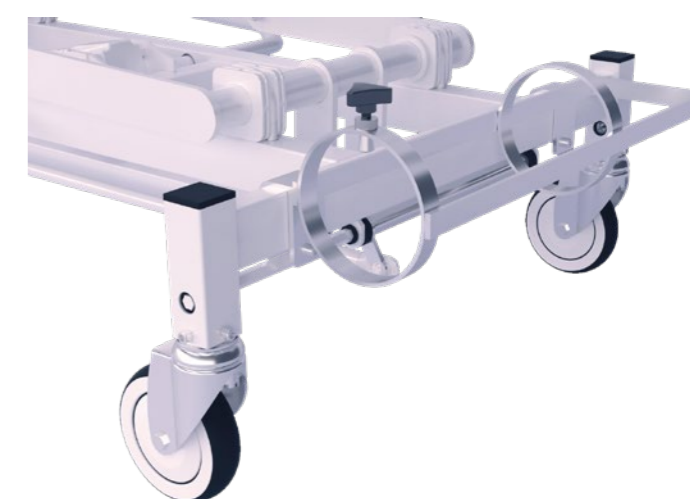
HA-021 | 2 Hook IV Pole



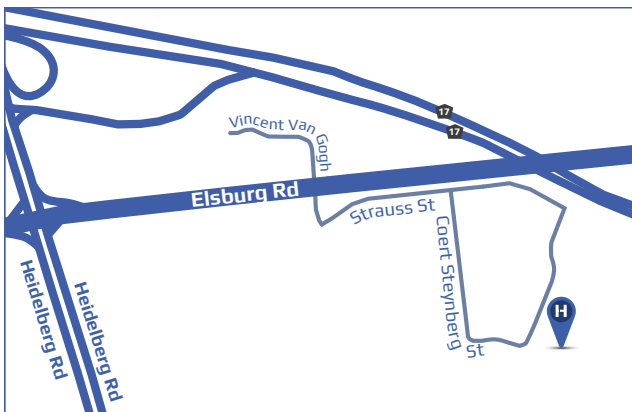
HA-020 | 4 Hook IV Pole



HA-010 | Lifting Pole



HA-100 | Oxygen Bottle Holder



-26.261264, 28.332704

**Physical Address:**

23 Coert Steynberg St, Van Eck Business Park, Brakpan, Gauteng

**Postal Address:**

P.O. Box 6920, Westwood, Gauteng, 1477

**Contact Details:**

Tel: 011 894 1600

Fax: 086 557 1577

Email: [sales@hospi-furn.co.za](mailto:sales@hospi-furn.co.za)

Web: [www.hospi-furn.co.za](http://www.hospi-furn.co.za)